

Case No. PAC-E-21-07  
Exhibit No. 28  
Witness: Richard A. Vail

BEFORE THE IDAHO PUBLIC UTILITIES COMMISSION

ROCKY MOUNTAIN POWER

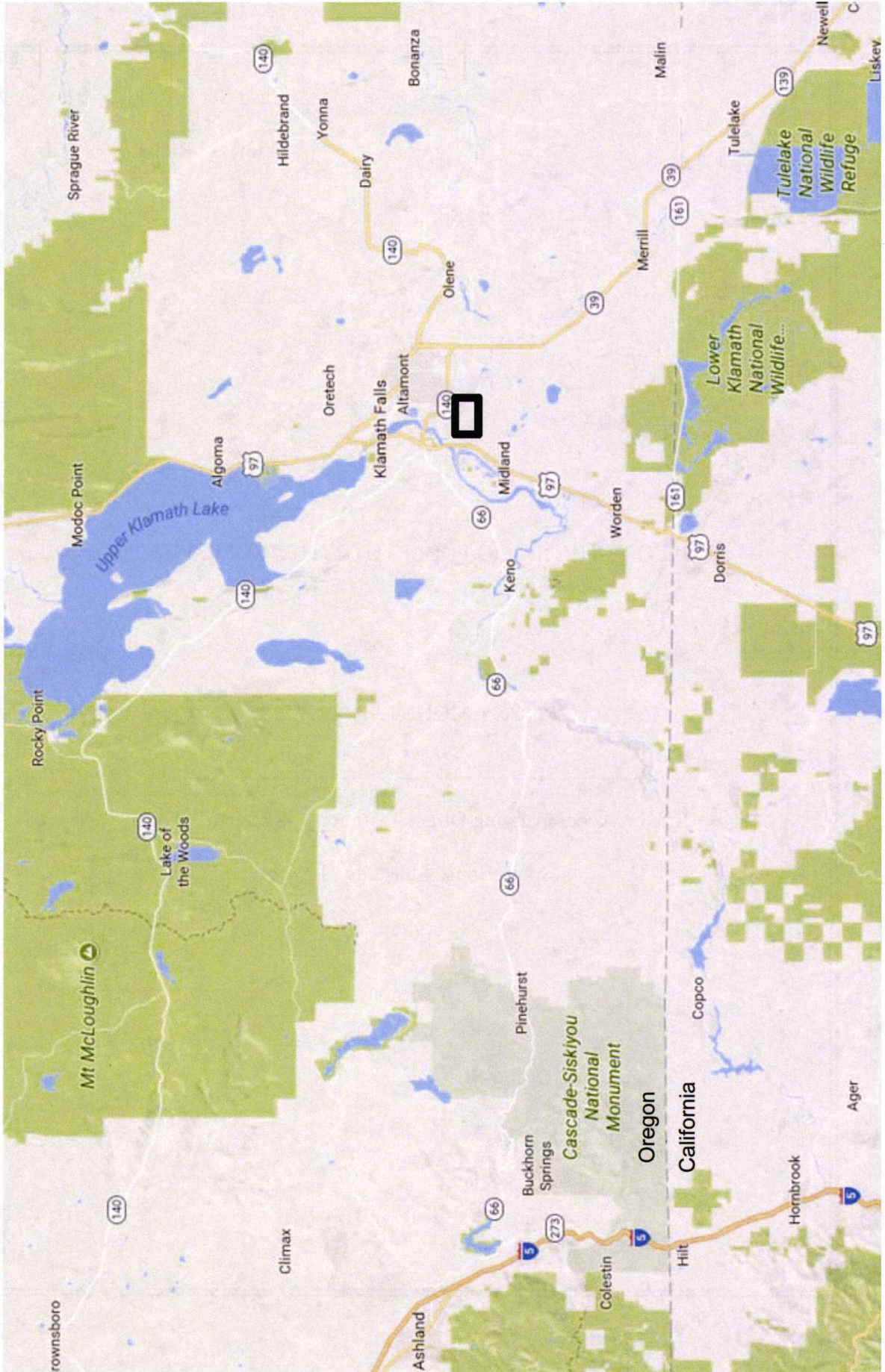
---

Exhibit Accompanying Direct Testimony of Richard A. Vail

Snow Goose Substation Project

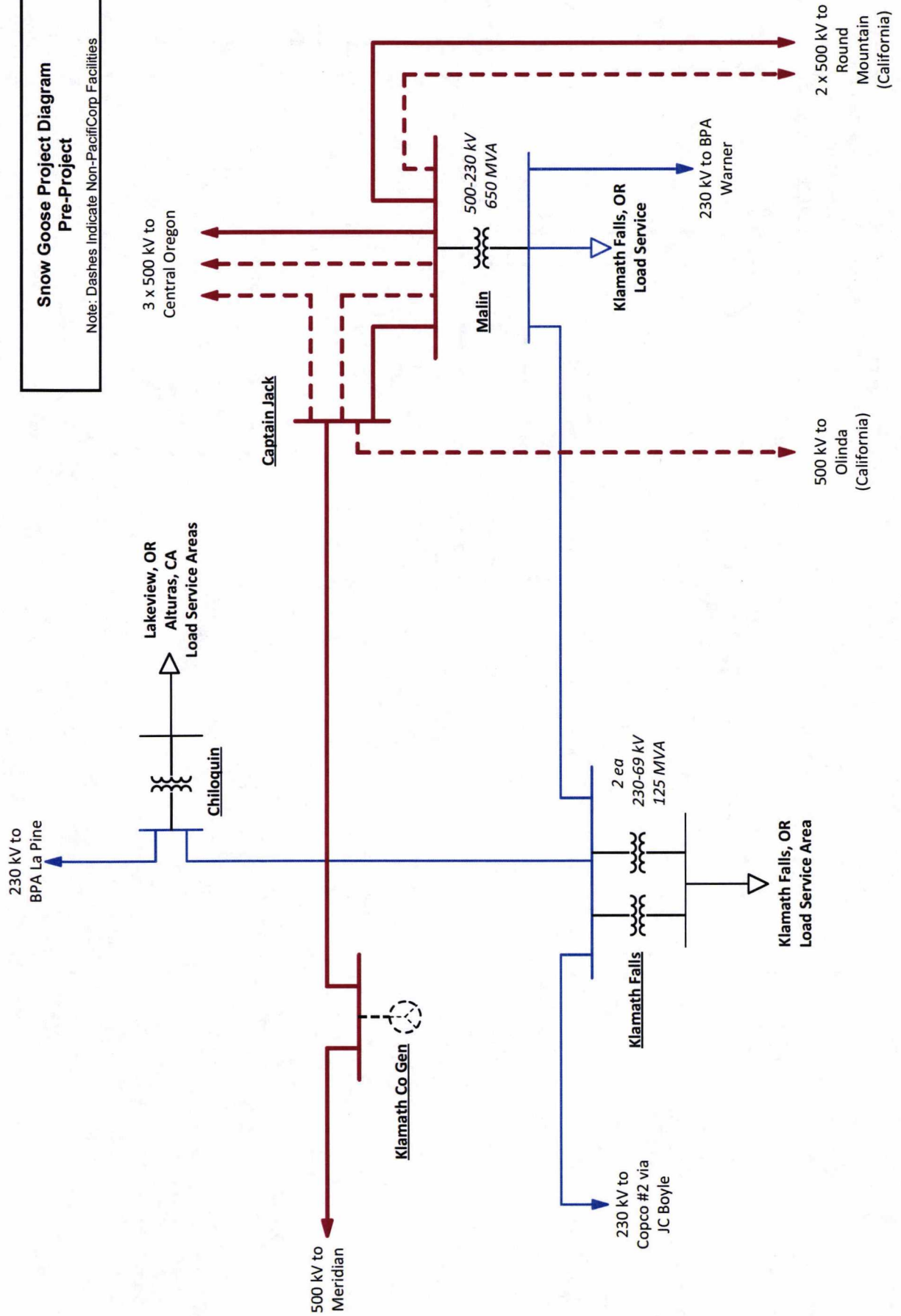
May 2021

# Snow Goose 500-230 KV New Substation Project Area





**Snow Goose Project Diagram  
Pre-Project**  
Note: Dashes Indicate Non-PacifiCorp Facilities



**Snow Goose Project Diagram  
 Post-Project**  
 Note: Dashes Indicate Non-PacifiCorp Facilities

